

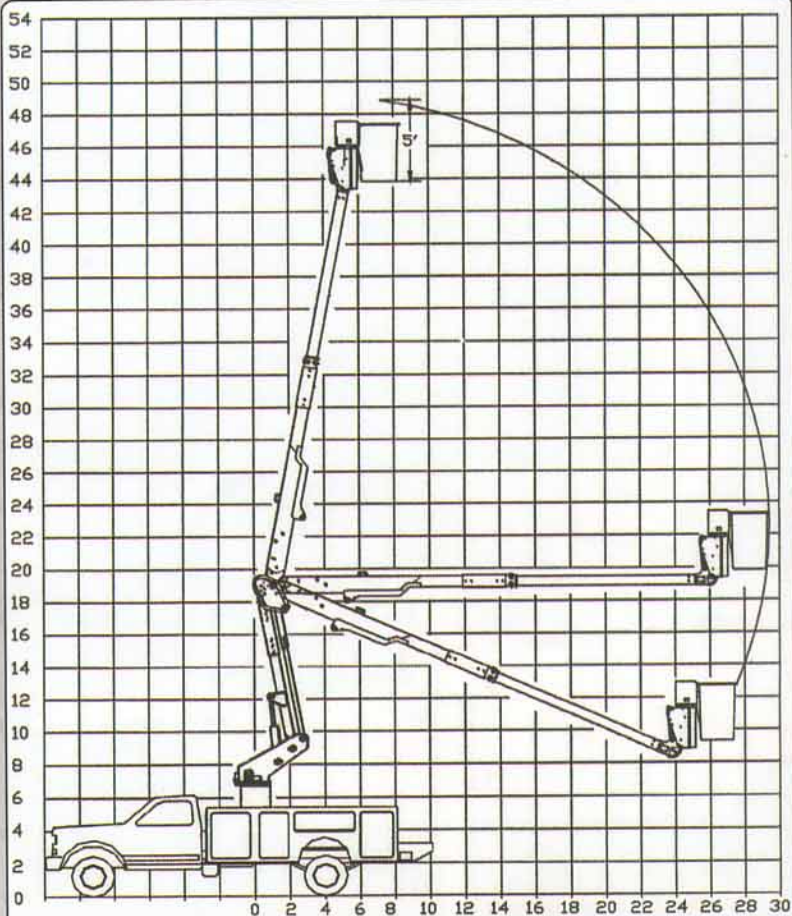
DTA-40

SPECIFICATIONS

	Side Hung	End Hung	Hydraulic Rotator
Height to Bottom of Platform	40'	40'	44'
Working Height	45'	45'	49'
Side Reach	27' 6"	29' 6"	30'
Stowed Travel Height	10'	10'	10'
Basket Capacity	400 lb.	350 lb.	350 lb.
Approximate Weight	2750 lb.	2750 lb.	2800 lb.
Articulating Arm Travel	0° to 70°	0° to 70°	0° to 70°
Main Boom Travel	-25° to +78°	-25° to +78°	-25° to +78°
Extension Travel	120"	120"	120"



REACH & ELEVATION



CONTROLS

- Full pressure proportional controls.
- Lower controls with override located at the turntable.
- Engine start/stop from the basket.

HYDRAULIC SYSTEM

- Rated pressure is 2200 PSI.
- Operating pressure is 2000 PSI.
- 5 GPM pump requirement.
- 10 gallon oil reservoir.

MECHANICAL SYSTEM

- Telescoping and articulating boom action.
- Offset main boom reduces travel height.
- Shear ball rotation driven by fully enclosed worm gear box.

SAFETY FEATURES

- Integral holding valves in all cylinders.
- Pressure relief valve.
- Non-conductive hoses.
- 46KV Category "C" on insulated models.
- Safety harness and lanyard.
- Lower override controls
- Fiberglass extension boom.

OPTIONAL FEATURES

- Continuous rotation (full pressure controls only).
- 12 volt D.C. backup.
- Outriggers
- Single hand controls (full pressure controls only).
- Basket liner.
- Throttle advance.
- Fiberglass main boom.
- Fiberglass articulating boom.
- 180° basket rotator.
- Non-insulated units available (DTAS-40).

DUR-A-LIFT

P.O. Box 31 • 2002 Kingbird Ave.
 George, IA 51237
 Ph: 877-4-DURALIFT (877) 438-7254
 Fax: 712-475-2809
 sales@dur-a-lift.com
 www.dur-a-lift.com